

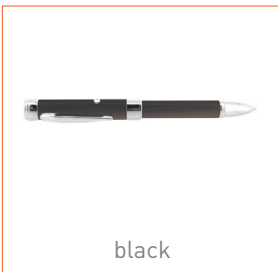
PROJECTOR PEN PPN



STANDARD PACKAGING



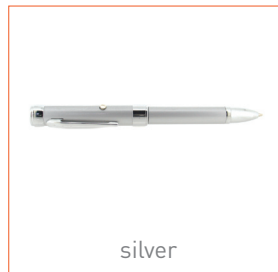
STANDARD COLOR OPTIONS



black



blue

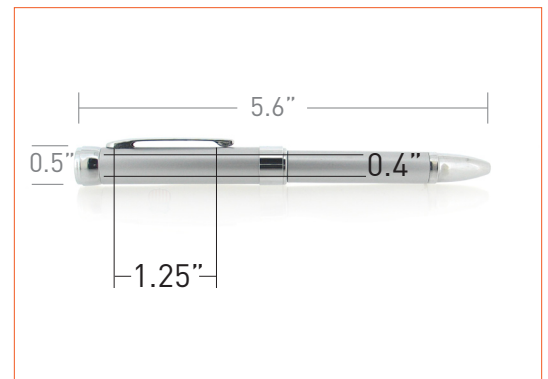


silver



When you see the "Rainbow Palette" icon next to a product, call us to check on the specific custom color elements available.

IMPRINT AREA



OVERVIEW

Imprint your logo on the upper barrel of this professional looking pen for immediate branding – notice the small button on pen's side – press and display your brand in lights with the Projector Pen's (PPN) built in projection feature. Represent your brand distinctively; custom color options are available.

ADDITIONAL OPTIONS

Logo illuminated via colored projection light



PRODUCT DETAILS

MATERIAL Aluminum

IMPRINT LOCATION Upper barrel

IMPRINT METHOD Pad printed and illuminated via black and white projector light

PRODUCTION TIME 3 weeks

MOQ 500 pieces

LOGISTICS

FOB New York or Chicago

PIECES PER CARTON 100

CARTON WEIGHT 10 lbs

CARTON DIMENSIONS 19" x 9" x 5"

88209

