

SINGLE MEMORY CARD READER SCM



STANDARD PACKAGING



STANDARD COLOR OPTIONS

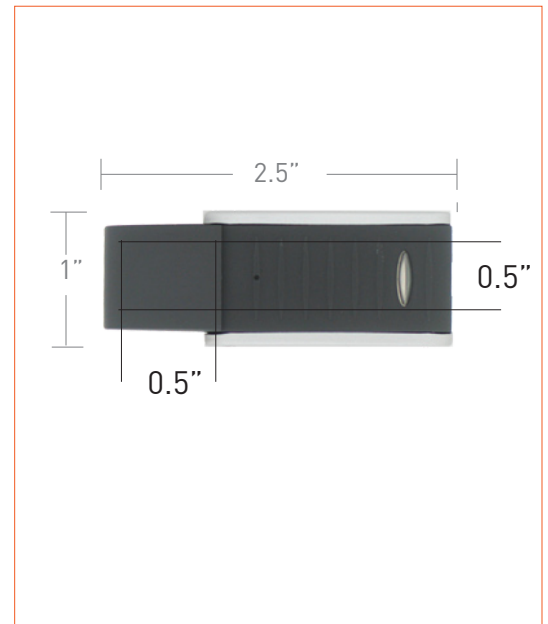


black



When you see the "Rainbow Palette" icon next to a product, call us to check on the specific custom color elements available.

IMPRINT AREA



OVERVIEW

Access your information in a snap with the Single Memory Card Reader. Insert your memory card into the side slit of the card reader and watch as your information pops up onto your computer screen. This handy little item makes a great gift suitable for any industry.

PRODUCT DETAILS

MATERIAL Rubberized plastic
IMPRINT LOCATION On cap
IMPRINT METHOD Silk screened
PRODUCTION TIME 8 weeks
MOQ 1,000 pieces

LOGISTICS

FOB New York or Chicago
PIECES PER CARTON 500
CARTON WEIGHT 39 lbs

88209

